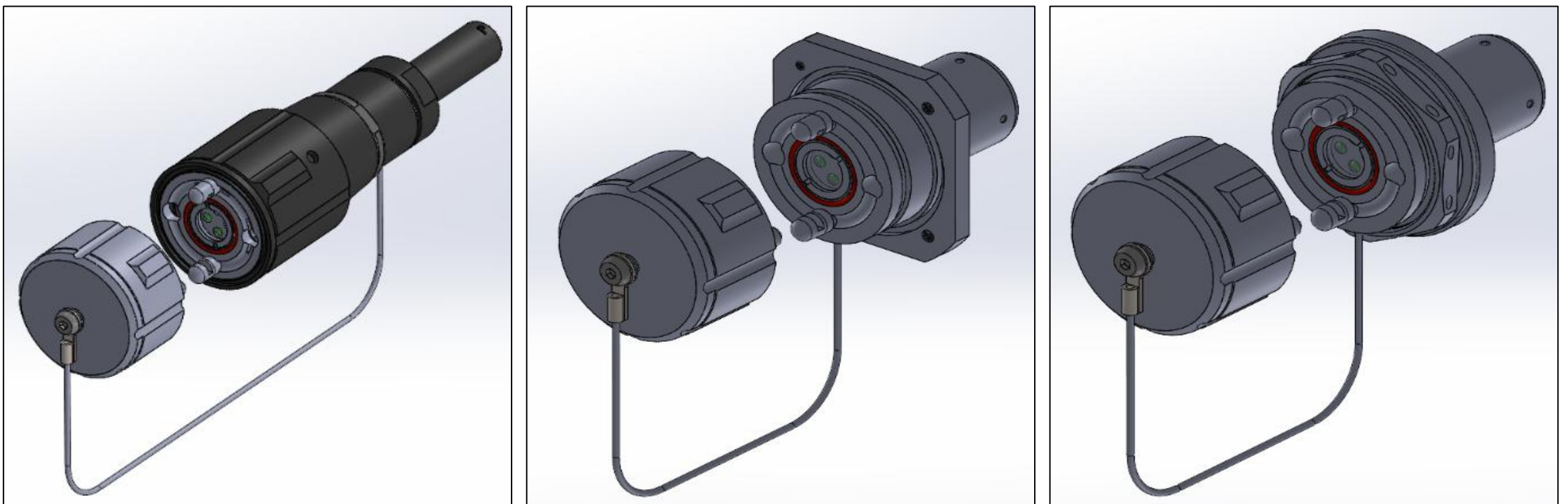


WBEAM

-FOSTEC Windowed BEAM Connector-

ABOUT

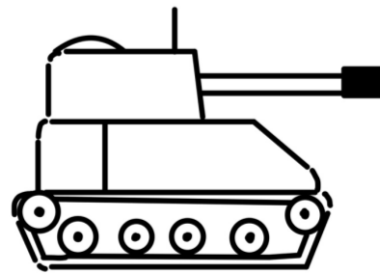
WBEAM connector is a non-contact optical connector designed for quickly establishing high-speed optical transmission links, even in harsh environments. It features a unique window shielding structure that provides enhanced environmental durability compared to previous non-contact designs. This makes it less susceptible to dust and contaminants, ensuring stable optical performance with easy maintenance. It has Hermaphroditic Twist Locking structure which allow to extend the length of the system using Plug to Plug multiple cable assemblies.



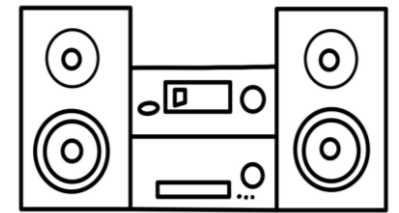
APPLICATION

- Mission Critical Combat and Communication Systems
- Mobile Tactical Shelters Electronic Battlefield Networks
- Navy shipboard, Surface Craft and Submarines
- Mining and Tunneling Equipment
- Offshore, Subsea System
- Oil and Gas Plant industries
- Communicating and control system for Railway

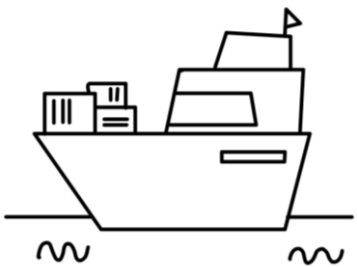
Defense



Broadcast



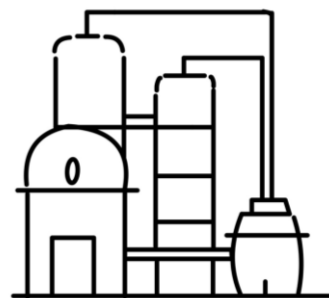
Ship



Mining



Oil & Gas Plant



Railway

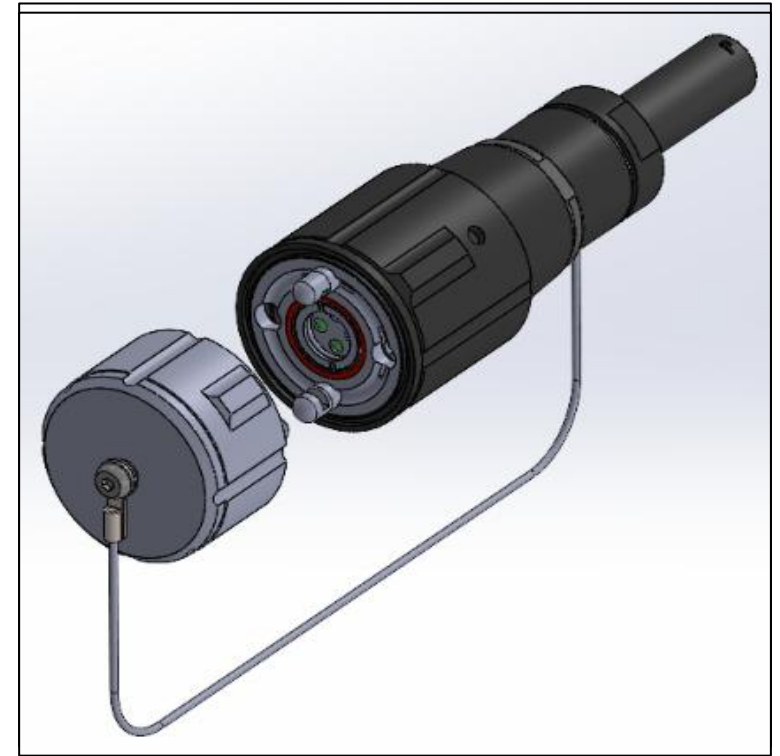
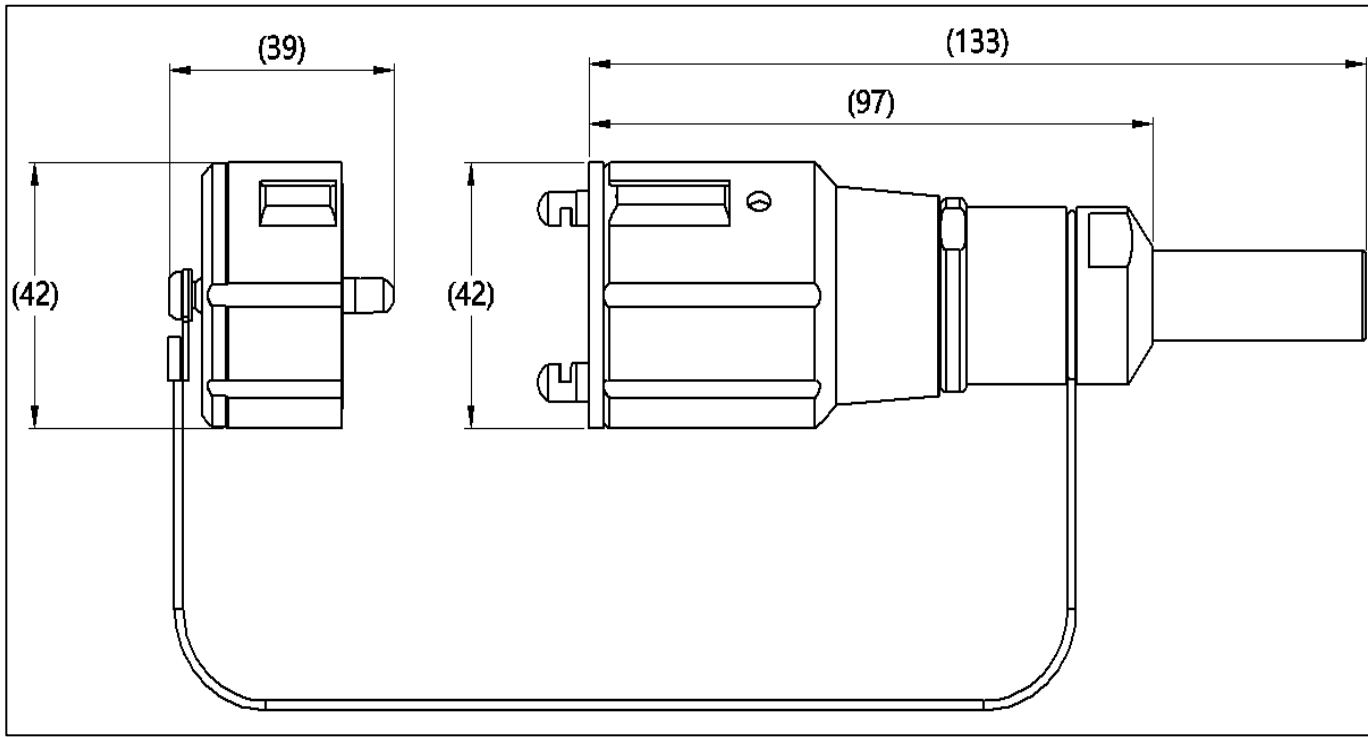


SPECIFICATION

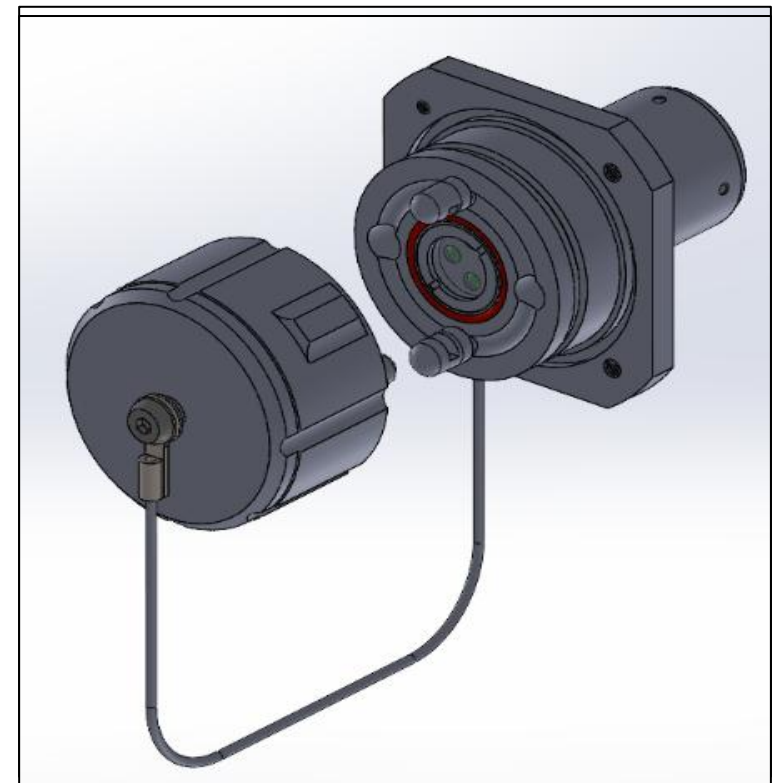
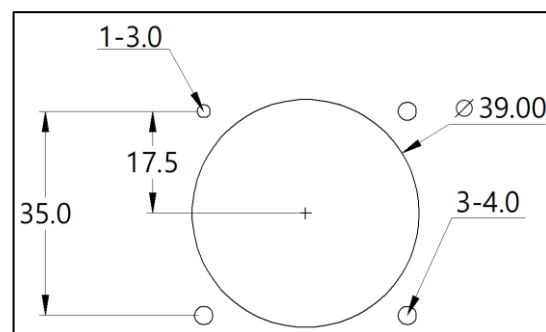
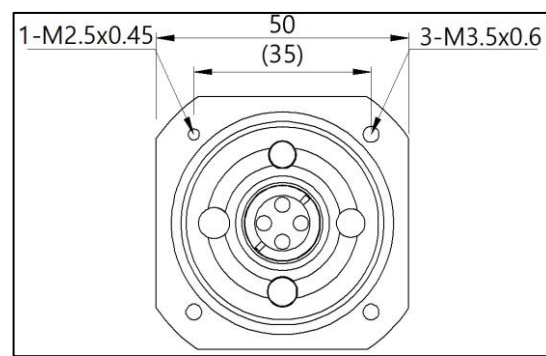
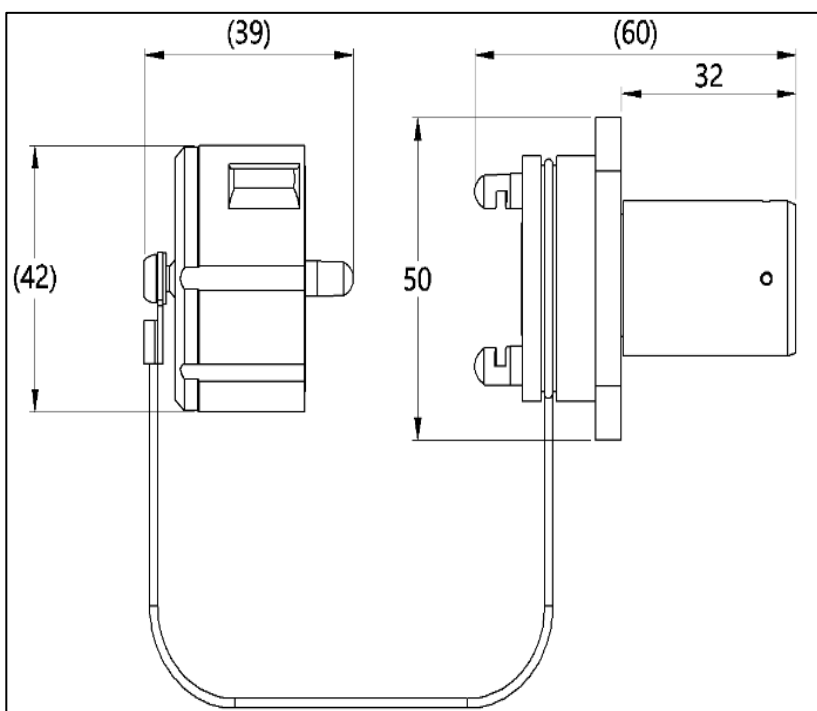
Parameter	Multimode(@850nm/1300nm)
Insertion Loss	4ch Typical 0.75dB, Max 2.0dB
Operating Temperature	-40°C to +85°C
Thermal Shock	-55°C to +85°C
Mating Durability	10,000 Cycles
Water Immersion	IP68 (2meter, 48hrs)
Impact	26 Impacts @ 1.2m
Vibration	10 to 2000Hz / 15g
Shock (T.B.D)	50g for 11ms, EIA/TIA-455-14, Condition A
Salt Spray (T.B.D)	500 Hours

CONFIGURATION

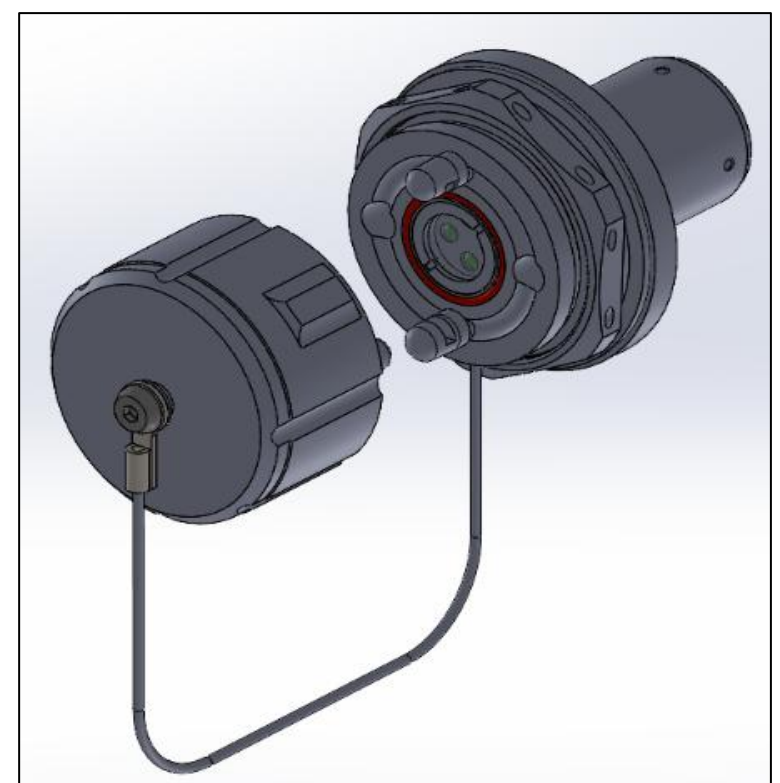
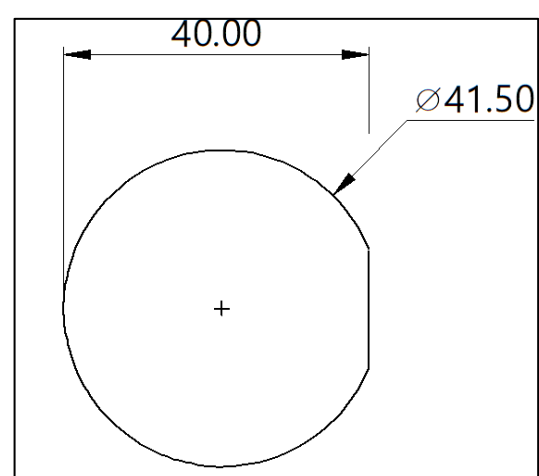
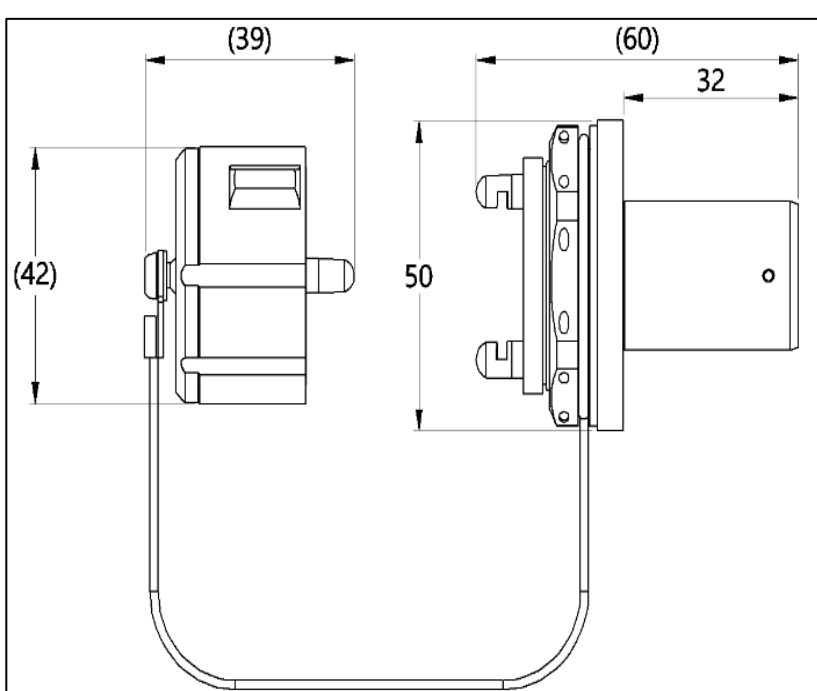
PLUG TYPE



BULKHEAD D-HOLE TYPE



BULKHEAD SQUARE FLANGE TYPE



ORDERING INFORMATION

WB - A - B - C - D - E - F - G - H
e.g. WB - P - S - 4 - 53 - A - 5.5 - A - 1.0M

Wbeam Plug Stainless Steel, 4ch, OM3
for 850&1300nm Wavelength, 5.5mm cable, Plug 1.0M

- A: CONNECTOR TYPE END A
- B: MATERIAL / SHELL FINISH
- C: NUMBER OF FIBER
- D: FIBER TYPE
- E: WAVELENGTH
- F: CABLE DIAMETER
- G: CONNECTOR TYPE END B
- H: TOTAL CABLE LENGTH

A: CONNECTOR TYPE END A

- P - PLUG
- BD - BULKHEAD D-HOLE
- BS - BULKHEAD SQUARE FLANG

F: CABLE DIAMETER

- 40: 4.0MM
- 55: 5.5MM

B: MATERIAL / SHELL FINISH

- S - STAINLESS STEEL, STS303

G: CONNECTOR TYPE END B

- A - SAME AS END A
- SC - SC TYPE CONNECTOR
- LC - LC TYPE CONNECTOR
- ST - ST TYPE CONNECTOR
- FC - FC TYPE CONNECTOR

C: NUMBER OF FIBER

- 2 - 2 OPTICAL CHANNEL
- 4 - 4 OPTICAL CHANNEL

H: TOTAL CABLE LENGTH

- 0.5 - 0.5M
- 1 - 1M
- 10 - 10M
- 100 - 100M

D: FIBER TYPE

- 52 - MULTI MODE(50/125) - OM2
- 53 - MULTI MODE(50/125) - OM3
- 54 - MULTI MODE(50/125) - OM4
- 62 - MULTI MODE(62.5/125) - OM1

E: WAVELENGTH

- A - 850/1300nm
- B - 850nm ONLY
- C - 1300nm ONLY