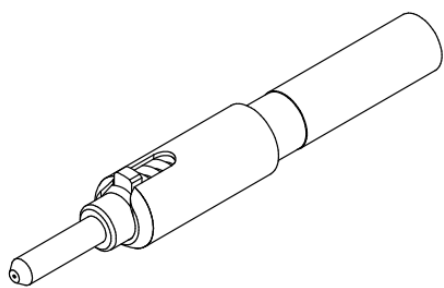


# AVIONICS OPTIC TERMINUS

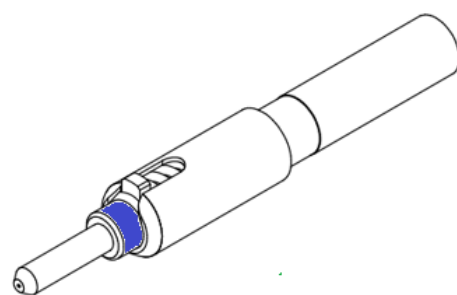
-ARINC801 TERMINUS

## ABOUT

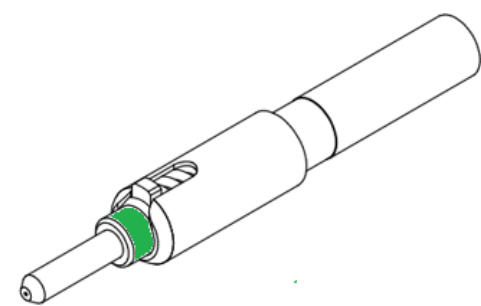
FOSTEC ARINC 801 Avionics Optical Terminus is designed in accordance with the commercial ARINC 801 specification, featuring a hermaphroditic butt-joint physical contact design.



MM



SM



SM APC

## Specification & Feature

### 1. Performance Specification

Description	Arinc801 Terminus(MM,SM,APC)	Remark
Operating temperature	-55°C to +125°C	Dependent on epoxy and cable
Thermal Cycling	-55°C to +125°C	
Thermal Shock	-55°C to +85°C	
Temperature Life	+110°C for 240 hours	
Vibration	X Y Z 23.1G @ 8hours each axis	
Mating durability	500+ cycles	
Salt Spray	500 hours	
Terminus Mating Force	5 lbs.[22.2 N] nominal	
Weight	0.7 grams max	

### 2. Materials & Finish

Description	Materials	Finish	Remark
Terminus body	BRASS	Nickel Plated	
Cover	BRASS	Nickel Plated	
Crimp Sleeve	BRASS	Nickel Plated	
Flange	BRASS	Nickel Plated	
Spring	STS_304		
Ferrule	Zirconia		

### 3. IL & RL

#### Insertion Loss

Fibers	Insertion Loss value	Remark
9/125	$\leq 0.50\text{dB}$ (MAX) $\leq 0.30\text{dB}$ (TYP), $\leq 0.2\text{dB}$ (APC,MAX)	
50/125	$-0.50\text{dB}$ (MAX) $-0.30\text{dB}$ (TYP)	
62.5/125		

#### Return Loss

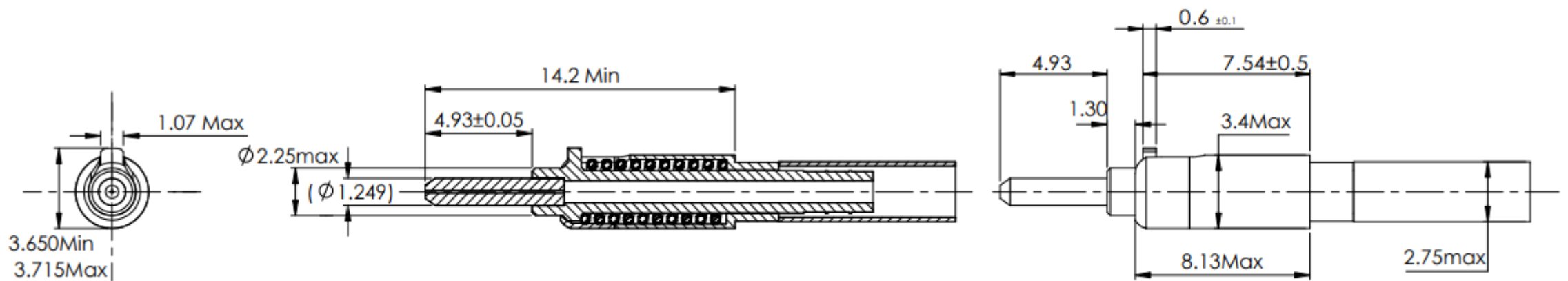
Polishing	SM PC	SM UPC	SM APC	Remark
Values	$\geq 30\text{dB}$	$\geq 40\text{dB}$	$\geq 60\text{dB}$	

## Model Variants

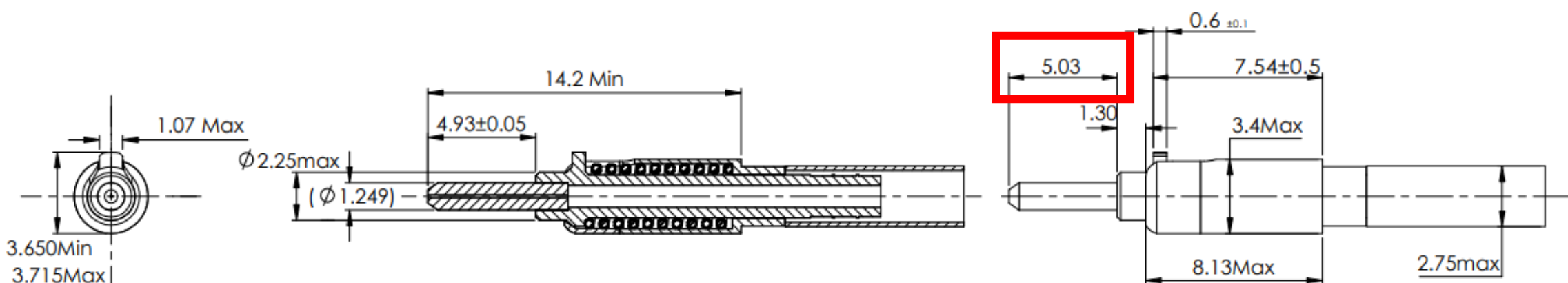
### ARINC 801 Terminus

Part number	Fiber core/Cladding	A Dia(um)	Reference no.	
F1000-504SMPI	-S50	9/125 (Single Mode), UPC	N/A	
	-S55	9/125 (Single Mode), UPC	N/A	
	-S60	9/125 (Single Mode), UPC	N/A	
	-A50	9/125 (Single Mode), APC	N/A	
	-A55	9/125 (Single Mode), APC	N/A	
	-A60	9/125 (Single Mode), APC	N/A	
	-M55	50/125 or 62.5/125 (Multi Mode)	125.5	N/A
	-M60	50/125 or 62.5/125 (Multi Mode)	126.0	N/A
	-M70	50/125 or 62.5/125 (Multi Mode)	127.0	N/A

## Drawings



ARINC801 MM&SM PC



ARINC801 SM APC